

Socket

VGU



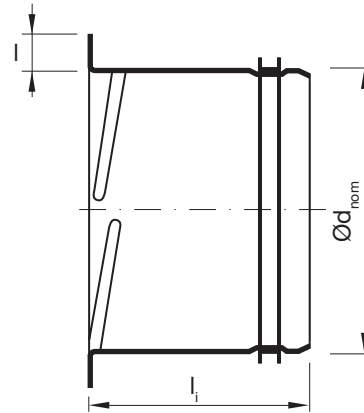
Description

Socket with thread for unit with bayonet holder.
Supplied with Safe gasket in the far end.
Connects to duct.

Materials and finish

Galvanized sheet metal.

Dimensions



Ød_{nom} [mm]	l [mm]	l_i [mm]	m [kg]
100	12 - 14	85	0,14
125	12 - 14	85	0,17
160	12 - 14	85	0,21
200	12 - 14	85	0,27

Ordering example

Product	VGU	160
Dimension Ød		