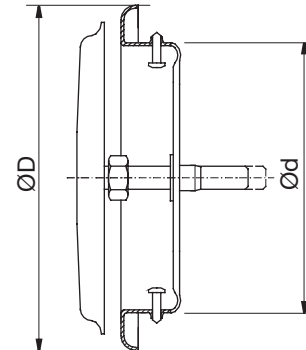


Valve

TAV



Dimensions



Description

Valve for supply and exhaust air.
Designed for natural ventilation. Can also be used as an outdoor air valve.
Screws connect to a duct.

Materials and finish

Material

Coated galvanized sheet metal.

Colour

White RAL 9003, gloss 30

Ød nom	Ød [mm]	ØD [mm]	m [kg]
100	98	120	0,19
125	123	150	0,26
160	156	190	0,39
200	196	230	0,53

Ordering example

	TAV	160	9003
Product			
Dimension Ød ₁			
Color			

Valve

TAV

Technical data

Air flow, q [l/s] and [m³/h] and total pressure drop, Δp_t [Pa], for different settings, a [mm], are shown in the graphs.

