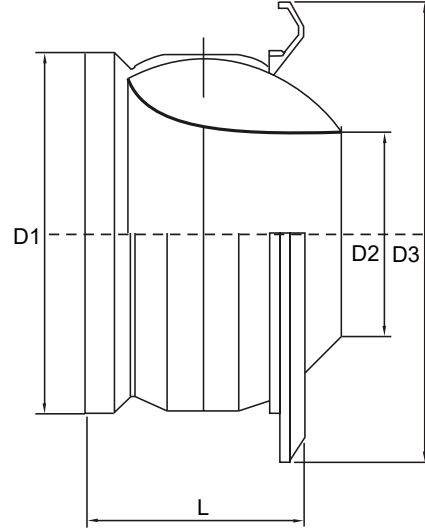




Jet Diffuser

JETD



Description

- material: aluminum and galvanised steel
- application: industrial and public buildings
- range up to 30 m
- low noise level and high efficiency
- adjustable air flow direction
- painted white (RAL 9010)

Dimensions

| Diameter | D1 (mm) | D2 (mm) | D3 (mm) | L (mm) |
|----------|---------|---------|---------|--------|
| 100 | 98 | 45 | 193 | 63 |
| 125 | 122 | 61 | 172 | 72 |
| 160 | 157 | 80 | 210 | 91 |
| 200 | 197 | 105 | 265 | 107 |
| 250 | 247 | 128 | 314 | 135 |
| 315 | 312 | 165 | 390 | 174 |
| 400 | 397 | 210 | 495 | 218 |
| 500 | 497 | 256 | 622 | 259 |

| Diameter | Applicable duct diameter | | | | | | |
|----------|--------------------------|-----|-----|-----|-----|-----|------|
| | 200 | 250 | 315 | 500 | 630 | 800 | 1000 |
| 100 | • | | | | | | |
| 125 | | • | | | | | |
| 160 | | | • | • | • | • | |
| 200 | | | | • | • | • | |
| 250 | | | | • | • | • | |
| 315 | | | | • | • | • | |
| 400 | | | | | • | • | |
| 500 | | | | | | • | • |