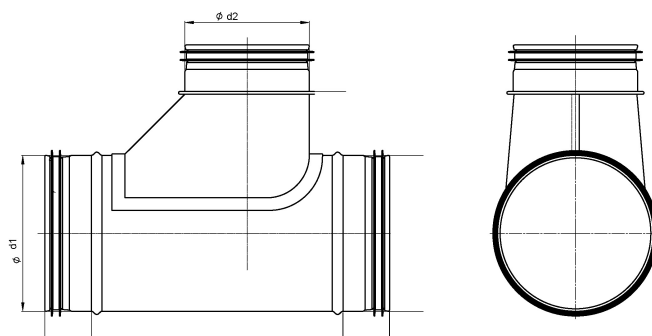


# Shoed Tee

TBU, TB



## Dimensions



### Description

Pressed and seam welded safe shoed tee.

State diameter of main duct and diameter or perpendicular duct when ordering.

Diameters 180, 224, and 280mm are only available to special order.

TBU- Eurovent certified Lindab Safe fitting with gasket.  
TB- Lindab Vent fitting without gasket.

Ød <sub>1</sub> nom	Ød <sub>2</sub> nom
100	100
125	125
150	150
160	160
180	180
200	200
224	224
250	250
280	280
300	300
315	315
355	355
400	400
450	450
500	500
560	560
630	630

### Ordering example

