



Air valve

VP



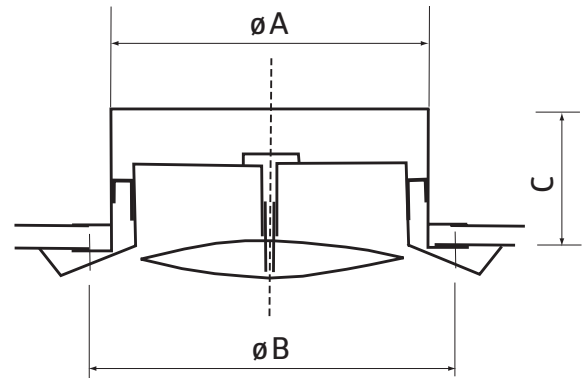
Description


Circular plastic supply/ exhaust air valve

Features

- polypropylene
- pure white
- can operate as supply or exhaust valve
- no corrosion occurrence
- non-painted
- easy adjustment of air flow by rotating central part
- blocking nut allows for setting the minimum slot
- special design provides low noise level
- high quality and modern design
- long mounting frame made of polypropylene
- fast installation thanks to adjustable metal plates

Dimensions



	øA [mm]	øB [mm]	C [mm]	
VP 100	97	118	50	7
VP 125	120	141	50	7
VP 150	145	162	50	7
VP 200	195	220	50	7