



Lindab Short Case Fans

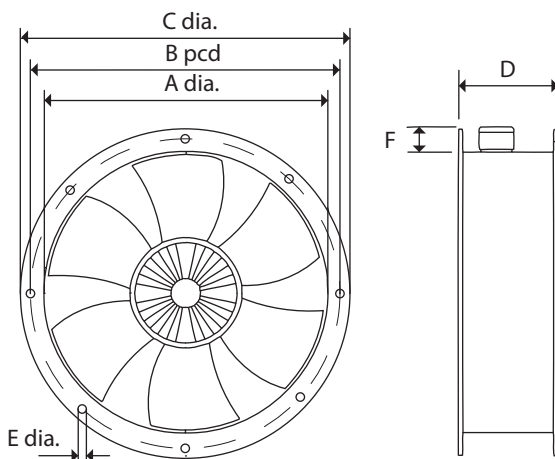
LSC

Description

- Available in single and 3 phase
- From 315 mm to 710 mm diameter
- Operating temperature up to 70°C
- External Rotor Motors on all models for compact efficient design
- Guards fitted as standard on all models
- Thermal Overload Protection for motor protection
- Maintenance free sealed for life bearings
- 2 Year Guarantee
- Controllers, flanges and full accessories range available

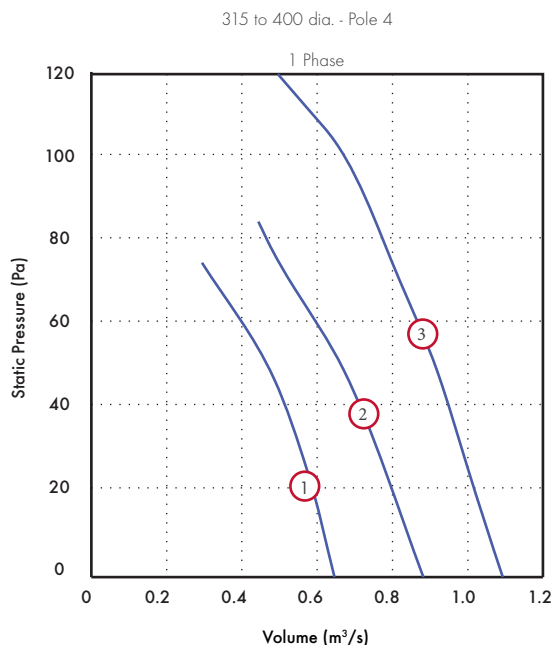


Dimensions



Code	Weight Kg	A mm	B mm	C mm	D mm	E mm	F mm	No. of holes
LSC31514	7	316	356	382	136.5	9.5	65	8
LSC35514	7	356	395	421	136.5	9.5	65	8
LSC40014	8.3	400	438	466	155	9.5	65	12
LSC45014	15.7	451	487	515	160	9.5	65	12
LSC50014	16.8	503	541	567	166	9.5	65	12
LSC56014	29.7	559	605	635	210	11.5	75	16

Technical Data



Code	Supply Rating kW	Amps	Amps	Poles	rpm	Curve	Volume m³/s @ Pa					dB(A) @ 3.0m			
							0	25	50	75	100				
LSC31514	230/1/50	IP54	0.12	0.54	11.2	4	1360	①	Volume m³/s	0.65	0.58	0.47	0.29		44
									Power Watts	85	93	100	110		
LSC35514	230/1/50	IP54	0.13	0.56	2.24	4	1260	②	Volume m³/s	0.88	0.78	0.67	0.50		48
									Power Watts	145	155	167	181		
LSC40014	230/1/50	IP54	0.24	1.05	4.2	4	1340	③	Volume m³/s	1.09	1.00	0.92	0.79	0.67	46
									Power Watts	183	197	210	224	236	

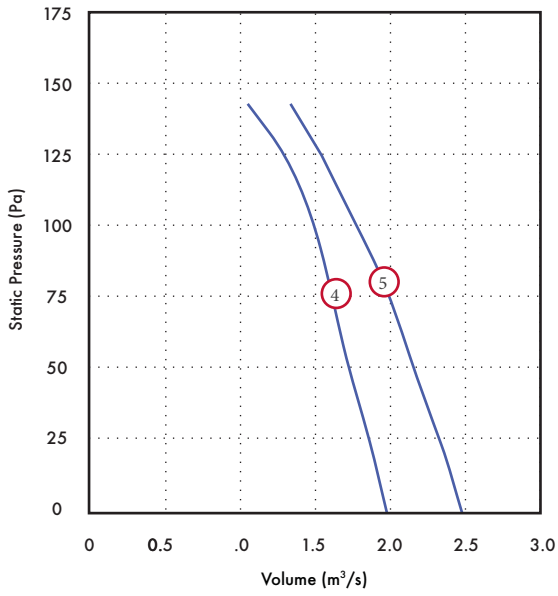
Sound Power Level Spectra dB (ref 10⁻¹² Watts)

Code	63Hz	125Hz	250Hz	500Hz	1KHz	2KHz	4KHz	8KHz	dB(A) @ 3.0m
LSC31514	71	70	65	60	58	59	55	47	44
LSC35514	67	70	67	64	58	60	53	45	48
LSC40014	72	73	66	62	60	59	54	48	46

Technical Data

450 to 500 dia. - Pole 4 & 6

1 Phase

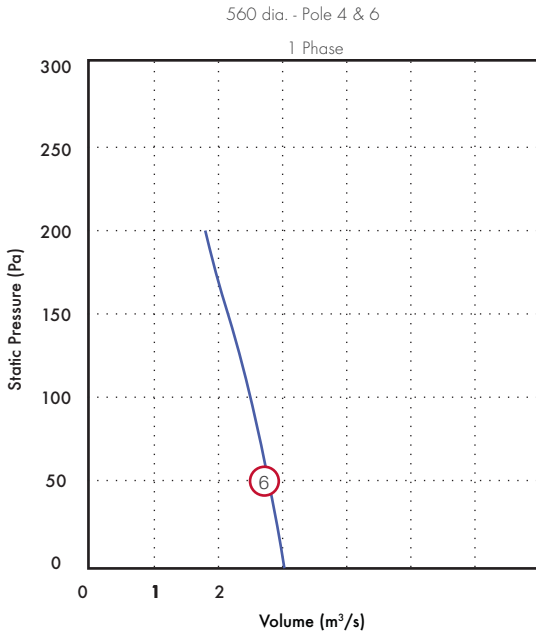


Code	Supply	IP	Motor Rating kW	F.L.C Amps	S.C. Amps	Poles	rpm	Curve	Volume m³/s @ Pa							dB(A) @ 3.0m			
									0	25	50	75	100	125	150		175		
LSC45014	230/1/50	IP54	0.6	2.9	11.6	4	1320	1	1.98	1.86	1.72	1.58	1.50	1.31					49
LSC50014	230/1/50	IP54	0.72	3.2	12.8	4	1230	4	2.48	2.33	2.14	2.02	1.78	1.54					51

Sound Power Level Spectra dB (ref 10⁻¹² Watts)

Code	63Hz	125Hz	250Hz	500Hz	1KHz	2KHz	4KHz	8KHz	dB(A) @ 3.0m
LSC45014	67	69	71	63	63	63	59	53	49
LSC50014	71	75	67	63	67	68	60	52	51

Technical Data



Code	Supply	Rating	IP	Motor	kW	Amps	F.L.C	Amps	S.C.	Poles	rpm	Curve	Volume m³/s @ Pa													dB(A) @ 3.0m
													0	25	50	75	100	125	150	175	200	225	250	275		
LSC56014	230/1/50	IP54	1.15	5	20	4	1330	6	Volume m³/s	3.03	2.92	2.78	2.67	2.50	2.36	2.15	1.96	1.79	62							
									Power Watts	824	850	910	946	996	1020	1055	1085	1114								

Sound Power Level Spectra dB (ref 10⁻¹² Watts)

Code	63Hz	125Hz	250Hz	500Hz	1KHz	2KHz	4KHz	8KHz	dB(A) @ 3.0m
LSC56014	79	78	74	74	77	77	73	66	62