



# Wedge nuts

# WN

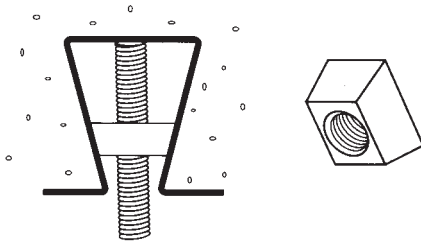


## Description

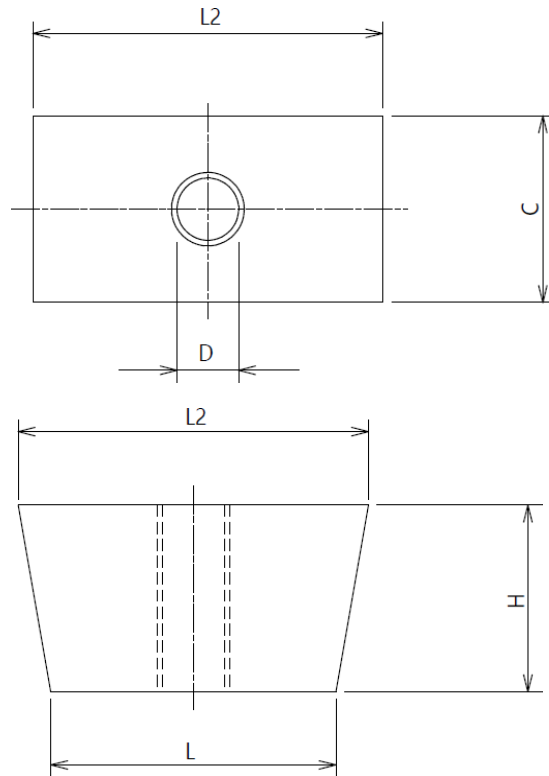
Wedge nuts for suspending services from profiled steel shuttered decking.

Available to suit 6 mm, 8 mm, 10 mm, and 12 mm threaded rod.

Manufactured from zinc plated steel.



## Dimensions



Size / D	H	C	L	L2	P
M6	15	15	23	28	1
M8	15	15	23	28	1.25
M10	15	15	23	28	1.5
M12	15	15	23	28	1.75