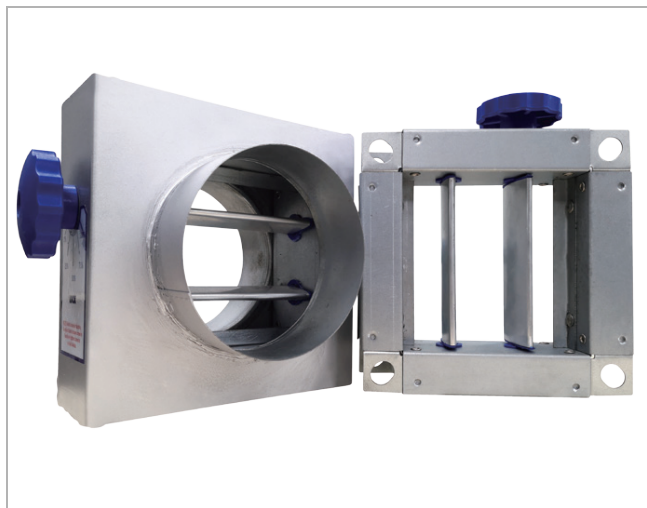




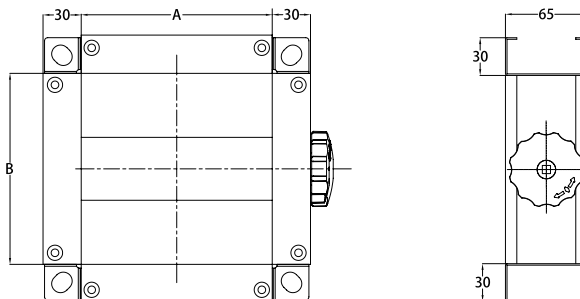
Volume Control Dampers

VCD/ VCDR



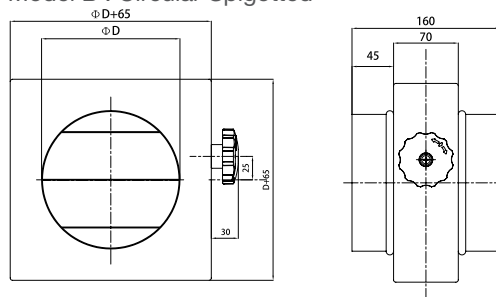
Product Dimensions

Model A : Square flanged



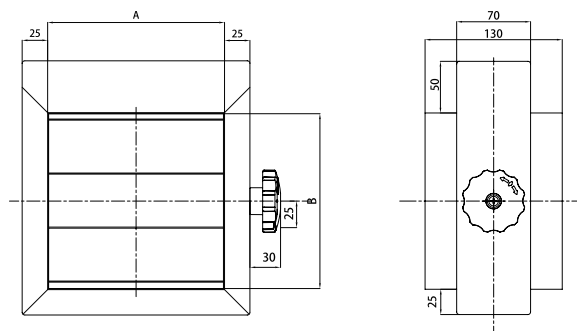
Width A/ Height B 100 to 1000mm at 50mm intervals.

Model B : Circular Spigotted



Diameter D 100, 125, 150, 160, 200, 250, 300, 315, 355, 400, 450, 500, 560, 630mm

Model C : Square Spigotted



Width A/ Height B 100 to 1000mm at 50mm intervals.

Description

The multi-blade volume control dampers have been designed specifically for the positive control and balancing of airflow within ventilation and air conditioning systems.

The range is suitable for flanged or spigotted installation connections within square, rectangular, circular or flat oval ductwork . The angles of the blades are adjusted via manual hand control options with visual open/closed indication or motorised operation control.

- Standard casing is constructed in galvanised mild steel
- Opposed aerofoil blade operation, made of extruded aluminum as standard
- Regulating device out of air stream
- Blade position indicator
- Universal connection options include square flange, circular spigot or square spigot
- Control options include manual plastic knob, locking quadrant or extended spindle suitable for motorisation
- Easy conversion from manual to motorised or other options
- Variable sizes from 100mm to 1000mm, or from 100mm diameter to 800mm diameter

Control Options

- Manual Plastic Knobs
- Locking Quadrants
- Extended Spindle
- Actuators