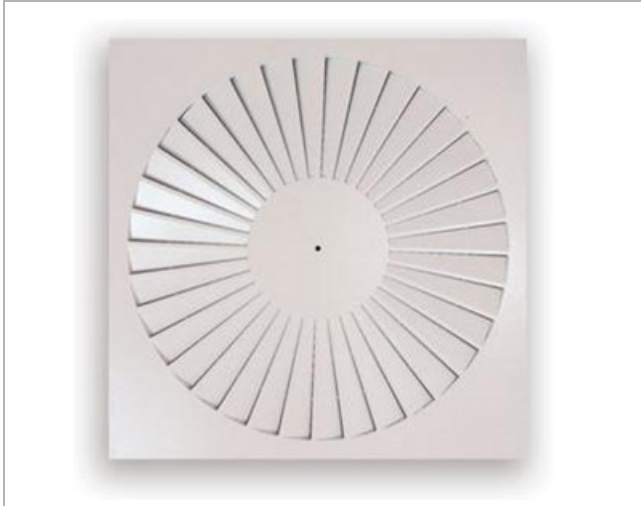


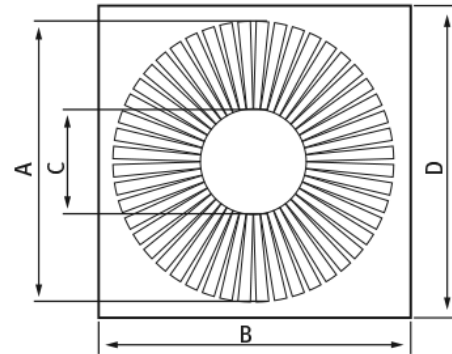


Diffuser

SW

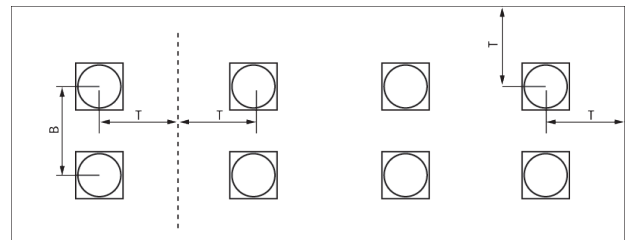


Dimensions



Description

- Structural elements are made of pressed galvanized steel
- Even distribution of air is ensured by 36 blades located radially
- Swirl effect of air supply ensures quick temperature balance in a room
- Powder painted white (RAL 9010)
- Good for hot or cold air supply/exhaust
- Easy installation – dimension is adapted to standard ceiling



SWIRL DIFFUSERS SW

Diffuser Dimensions	A(mm)	B(mm)	C(mm)	D(mm)
595 x 595	540	595	200	595



CHARACTERISTICS OF SWIRL DIFFUSERS SW

Hanging height	Air volume		Ps	NC	If diffusers are located in two or more rows and B<4 m Range T (m)			If diffusers are located in two or more rows and B>4m Range T (m)
	m ³ /s	m ³ /h			B = 2,7 m	B = 3,2 m	B = 3,6 m	B > 4 m
2.7	0.050	180	3	*	0.7	0.7	0.7	0.7
	0.060	216	4	*	1.2	1.0	0.8	0.7
	0.070	252	5	*	1.4	1.2	1.0	0.9
	0.080	288	7	*	1.6	1.3	1.2	1.0
	0.090	324	8	*	1.7	1.4	1.3	1.2
	0.100	360	10	*	1.8	1.5	1.4	1.2
	0.125	450	16	*	1.9	1.7	1.5	1.4
	0.150	540	23	25	2.0	1.8	1.6	1.5
	0.175	630	31	29	2.2	1.9	1.8	1.7
	0.200	720	41	33	2.4	2.2	2.1	2.0
3.0	0.050	180	3	*	0.7	0.7	0.7	0.7
	0.060	216	4	*	0.7	0.7	0.7	0.7
	0.070	252	5	*	1.0	0.8	0.7	0.7
	0.080	288	7	*	1.3	1.1	0.9	0.8
	0.090	324	8	*	1.5	1.2	1.1	0.9
	0.100	360	10	*	1.6	1.3	1.2	1.0
	0.125	450	16	*	1.8	1.5	1.4	1.3
	0.150	540	23	25	1.9	1.7	1.5	1.4
	0.175	630	31	29	2.0	1.7	1.6	1.5
	0.200	720	41	33	2.1	1.8	1.7	1.6
3.6	0.050	180	3	*	0.7	0.7	0.7	0.7
	0.060	216	4	*	0.7	0.7	0.7	0.7
	0.070	252	5	*	0.7	0.7	0.7	0.7
	0.080	288	7	*	0.8	0.7	0.7	0.7
	0.090	324	8	*	0.8	0.7	0.7	0.7
	0.100	360	10	*	1.2	0.9	0.8	0.7
	0.125	450	16	*	1.5	1.2	1.1	1.0
	0.150	540	23	25	1.7	1.4	1.3	1.1
	0.175	630	31	29	1.8	1.6	1.4	1.3
	0.200	720	41	33	1.9	1.6	1.5	1.4